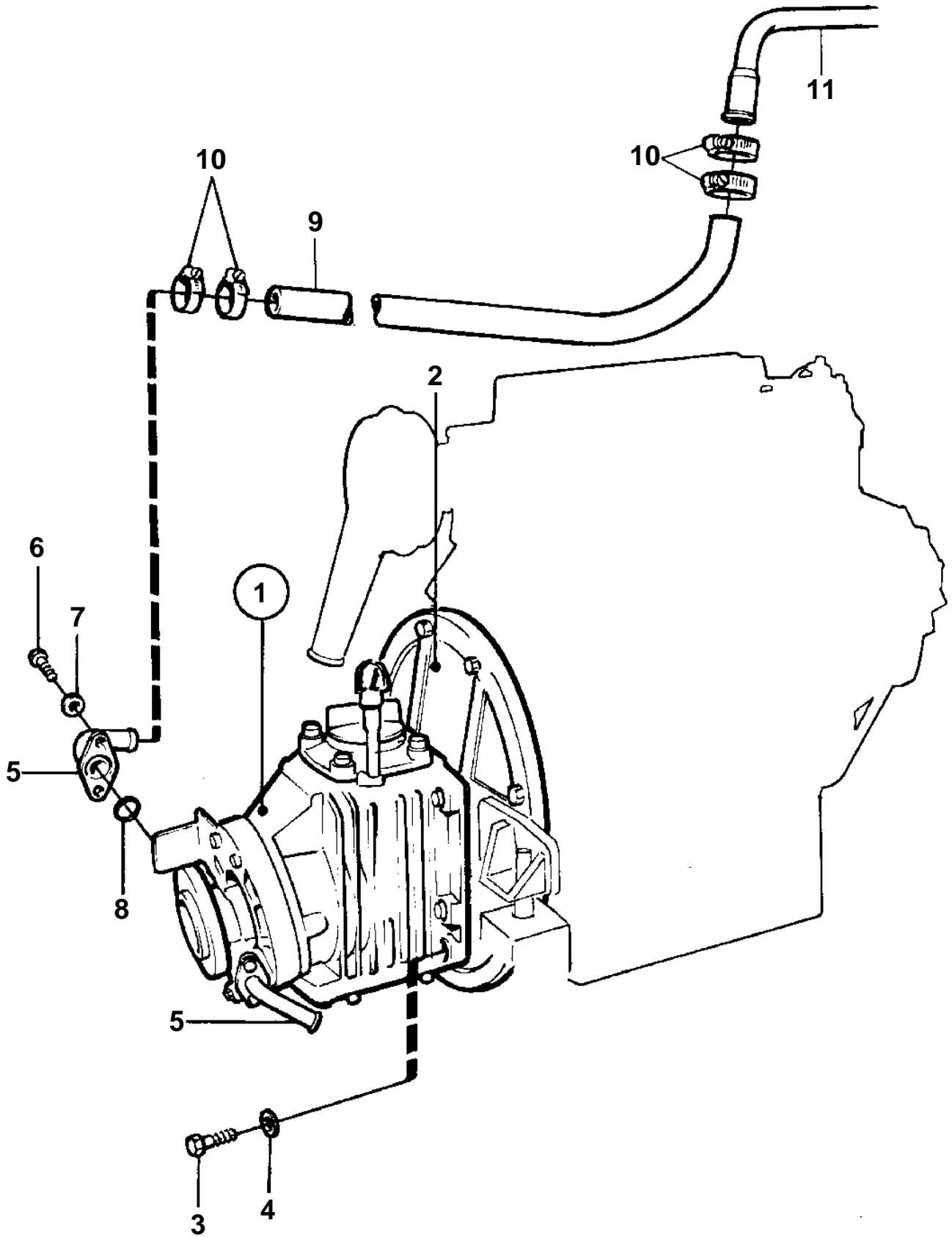


2003SOLAS,2003B-SOLAS,2003TB-SOLAS



2003SOLAS,2003B-SOLAS,2003TB-SOLAS

REF	PART NO.	QTY	DESCRIPTION	NOTES
1		1	REVERSE GEAR MS2B-R	
			COMPONENTS	SEE GROUP 4B
		1	REVERSE GEAR MS2B-R	RATIO 3,02:1
			COMPONENTS	SEE GROUP 4B
2	858364	1	Cover	SEE GROUP 2A
3	970950	6	Screw	(955320)
4	941908	6	Spring washer	
5	840509	2	Hose connection	
6	955270	4	Screw	
7	941906	4	Spring washer	
8	418445	2	Sealing ring	
9	952969	X	Rubber hose	
10	961665	4	Hose clamp	
11	858711	1	Coolant pipe	SEE GROUP 2B. REVERSE GEAR-EXPANSION TANK-SEA WATER PUMP.